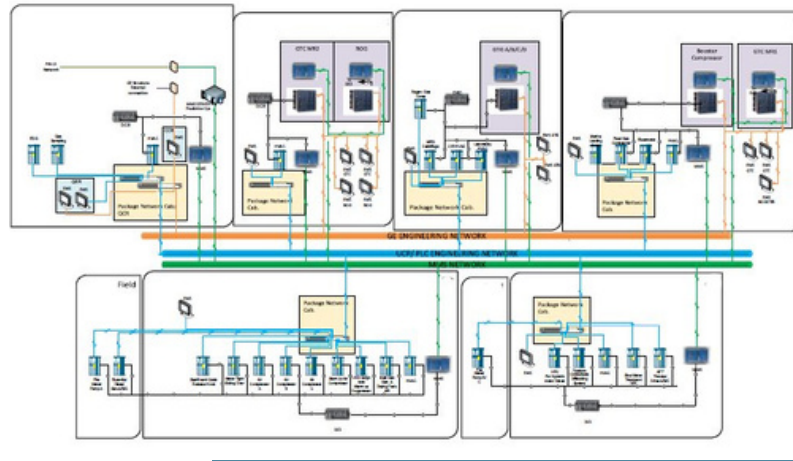


# SOUTH GAS COMPRESSION PLANT PIPELINES



**Sector:** Oil&Gas

**Year:** 2018 -2020

**Place:** Haradh & Hawiyah (Saudi Arabia)

**Direct client:** Saipem

**Final client:** Saudi Aramco

## GOALS

Procure and Build project for the installation and modification of flowlines, trunk lines and transmission lines together with associated facilities such as Off-Plot, Tie-In Facilities and Remote Headers, Gas Gathering Manifolds (GGM), Liquid Separation Stations (LSS), Gas Plants

## MAIN ACTIVITIES

- Detailed Engineering Endorsement, issue for Technical Queries and Verification Finding Report related to Instrumentation and Automation;
- Issue for Technical and Supply Specification for Existing RTU and ICSS upgrading and new RTU procurement;
- Technical Bid Evaluation for automation and instruments;
- Follow Up for automation and instrumentations.

## SOLUTIONS

- RTU for different vendor (Siemens, Emerson, Honeywell, Yokogawa);
- Endorsement of Saudi Aramco Standards.

